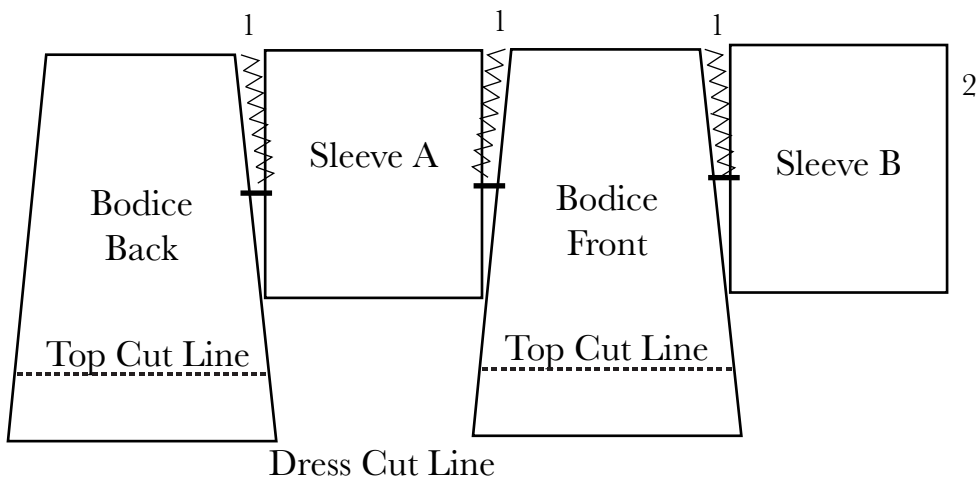
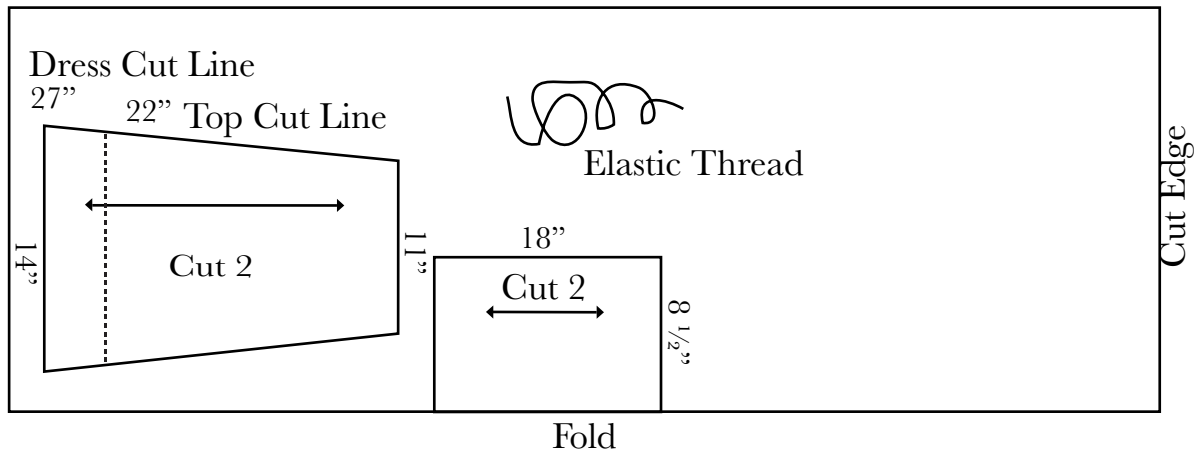


Off the Shoulder Top

by

Tashina Lee Emery

Sleeve



All Seams 1/2 inch Seam Allowance, unless otherwise stated

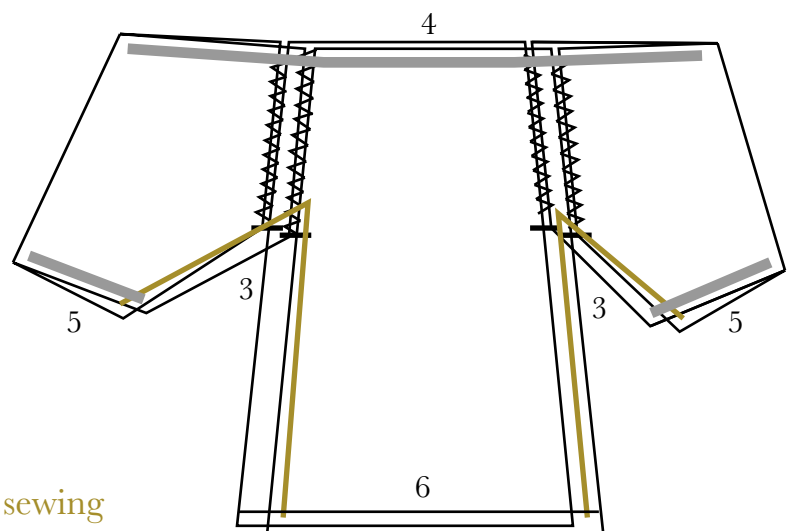
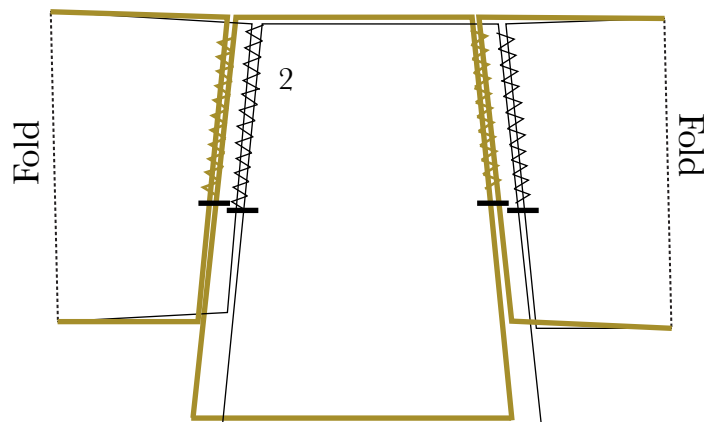
⋈ Attach triangles area using Straight Stitch

..... Fold

— Tack

▬ Fold over twice and insert elastic string through tubing

— Sew the underarm seam and bodice side seams



Instructions

1. Attach sleeve to bodice, Right sides together for each seam, Sewing down 8" and tacking
2. Make a big garment tube and attach the final sleeve edge to bodice edge sewing
3. Sew the underarm seam and bodice side seams, straight down from sleeve to hem
4. Hem (by folding up 1/4", 1/2") Top leaving a small gap to run an elastic string through gathering the Top together, then knotting to hold in place, sew close the small gap
5. Hem (by folding up 1/4", 1/2") both Sleeves leaving a small gap to run an elastic string through gathering the Sleeve together, then knotting to hold in place, sew close the small gap
6. Hem the *all* bodice (by folding up 1/2", 1/2")



tashinaemery.com

Share your photos!
#TLEOFFSHOULDERTOP